

SIZE CODES

WIDTH "W"		SIZE CODES													
"H" HEIGHT	WIDTH "W"	05W	10W	15W	20W	25W	30W								
05H	15 1/4"	15"	27"	39"	51"	63"	75"								
SIZE CODE NOTE: TO DETERMINE SIZE CODE OF DESIRED HOUSING, 05 SIZED UNITS REPRESENT A 12" NOMINAL SIZE FILTER AND 10 SIZED UNITS REPRESENT A 24" NOMINAL SIZED FILTER. IE: A 10HX15W UNIT WOULD ACCOMMODATE (1) 24"X24"X11-1/2" NOMINAL FILTER AND (1) 24"X12"X11-1/2" NOMINAL FILTER PLACED SIDE BY SIDE.															
10H	27 1/4"	<table border="1"> <thead> <tr> <th colspan="2">DEPTH "D"</th> </tr> </thead> <tbody> <tr> <td>HEPA ONLY</td> <td>21 1/2"</td> </tr> <tr> <td>HEPA W/ 2" PREFILTER</td> <td>27"</td> </tr> <tr> <td>HEPA W/ 4" PREFILTER</td> <td>27"</td> </tr> </tbody> </table>						DEPTH "D"		HEPA ONLY	21 1/2"	HEPA W/ 2" PREFILTER	27"	HEPA W/ 4" PREFILTER	27"
DEPTH "D"															
HEPA ONLY	21 1/2"														
HEPA W/ 2" PREFILTER	27"														
HEPA W/ 4" PREFILTER	27"														
15H	42 1/2"														
20H	54 1/2"														
25H	69 3/4"														
30H	81 3/4"														
35H	97"														
40H	109"														

ORDER DETAILS

ITEM#	HEIGHT	WIDTH	DEPTH	QTY. REQD
1				
2				
3				
4				
5				
EX.	20H	15W	25	12

STANDARD OPTIONS

(CHECK IF APPLICABLE)

PREFILTER SIZE

- NONE REQUIRED
- 2" (NOM.)
- 4" (NOM.)

MATERIAL

- GALVANIZED STEEL
- ALUMINIZED STEEL
- T-304L STAINLESS
- T-316L STAINLESS

DOORS

- 1 DOOR**
- 2 DOORS**
 - RIGHT HAND (STANDARD)
 - LEFT HAND

TEST PORT (3/8" NPT)

- UPSTREAM OF PREFILTER
- DOWNSTREAM OF FINAL FILTER

CONSTRUCTION TYPE

- INTERMITTENTLY WELDED AND CAULKED
- SEAL WELDED

TRANSITIONS

- UPSTREAM
- DOWNSTREAM

- SQUARE COLLAR: H/W ____X____
- ROUND COLLAR: ID _____

HIGH TEMP GASKET

- YES

FILTER SEAL TYPE

- GASKET SEAL
- FLUID SEAL

STATIC PRESSURE PORTS
(REF. CSD-020)

- PORTS ONLY (PLUGGED)
- WITH GAGES
 - FACTORY MOUNTED
 - SHIP LOOSE
 - PREFILTER GAGE
 - HEPA GAGE
 - OVERALL GAGE
 - MAGNEHELIC
 - PHOTOHELIC

WEATHER PROOF GAGE BOX

INSULATION TYPE

- 2" THICK, FOIL BACK DOUBLE WALL

WEATHER COVER

- YES

LIFTING LUGS

- 2
- 4

DOOR HINGES

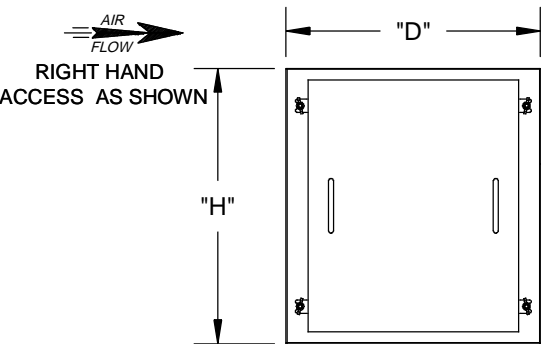
- YES

FLANGES

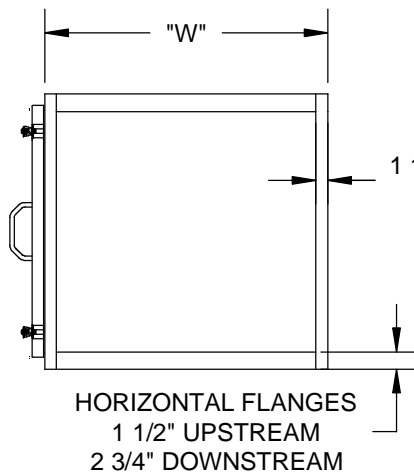
- PLAIN (STANDARD)
- DRILLED (REF. CSD-018)

- UPSTREAM

- DOWNSTREAM



ACCESS VIEW



FLANGE CONNECTION

NEW HOUSING REFERENCE DRAWING WITH STAR KNOBS

STANDARD SPECS:

- UNIT SHALL BE MANUFACTURED FROM 12 AND 14 GA. MATERIAL. IF INTERMITTENTLY WELDED CONSTRUCTION OPTION IS CHOSEN, ALL SEAMS WILL BE INTERMITTENTLY WELDED AND THEN CAULKED WITH AN RTV SEALANT.
- ALL UNITS ARE DESIGNED FOR 24"X24"X11-1/2" OR 24"X12"X11-1/2" ACTUAL SIZED HEPA FILTERS AND 24"X24"X(2" OR 4") OR 24"X12"X(2" OR 4") NOMINAL SIZE PREFILTERS.
- ALL FILTERS TO HAVE A DOWNSTREAM SEAL.
- LOCKING MECHANISM WILL ONLY BE OPERATED FROM ONE SIDE ON 2 DOOR MODELS.
- UNIT COMES STANDARD WITH OUT TURNED FLANGES

STANDARD GAGE OPTIONS:

UNLESS OTHER GAGES ARE SPECIFIED (REFER TO SHEET CSD-020), PREFILTER GAGES SHALL BE A MAGNEHELIC 2002 OR PHOTOHELIC A3002, THE HEPA GAGES SHALL BE A MAGNEHELIC 2004 OR PHOTOHELIC A3004, AND THE OVERALL GAGES SHALL BE A MAGNEHELIC 2005 OR PHOTOHELIC A3005. UNLESS OTHERWISE NOTED, THE GAGE TUBING SHALL BE COPPER WITH BRASS FITTINGS.

**ON ONE DOOR MODELS SPECIFY SIDE FOR DOOR, ON TWO DOOR MODELS SPECIFY SIDE FOR LOCKING MECHANISM.

CUSTOMER INFORMATION

IF YOU DO NOT SEE THE OPTIONS YOU REQUIRE, THE MANUFACTURER CAN CUSTOM DESIGN YOUR HOUSING TO NEARLY ANY SIZE AND SPECIFICATION.

HEPA SIDE ACCESS

P&G MANUFACTURING

WASHINGTON N.C. 27889
PHONE NO.: 252-946-9110
FAX NO.: 252-946-4823



SALES DRAWING

REV.	DRAWN BY DATE	DESCRIPTION:	APPR. BY DATE
		THE DEVICE DEPICTED AND DESCRIBED HEREON EMBODIES PROPRIETARY INFORMATION OWNED BY P&G MANUFACTURING INC. ALL DESIGN, MANUFACTURING, REPRODUCTION, SALES, AND PATENT RIGHTS REGARDING THIS DEVICE OR DRAWING ARE RESERVED EXCEPT WHERE EXPLICIT RIGHT IS GRANTED IN WRITING.	
		UNLESS OTHERWISE SPECIFIED • ALL DIMENSIONS ARE IN INCHES • TOLERANCES ARE: FRACTION: ±1/8" DECIMAL: ±.125" ANGULAR: ±1°	

DRAWN BY:	DATE:	DWG SCALE:			
WMA	5/10/10	NTS			
APPROVED BY:	DATE:	DRAWING NO.:	SHEET	OF	REV.
JWW	6/29/10	CSD-012	1	1	C

DIMSCALE: 24" TEXT HEIGHT: 10